

MONTGOMERY MADE TO MEASURE ROMAN BLINDS

A modern and stylish window option



Roman blinds are one of the most stylish ways to dress up a window with clean, sophisticated lines. They can be used as a standalone window treatment fitted outside the window or inside the window recess and they can also be combined with curtains giving your window a layered look.



You can choose to have your roman blind made with a choice of standard, thermal or blackout linings. Where available a contrast border can be added to the bottom of your blind and you can also choose between the standard controls or the new sidewinder controls.

Our roman blinds are made from the same high quality fabrics as those used in our made to measure curtain range giving a much better, softer finish to the look of the blind. Hand finished in our UK factory a Montgomery's Roman Blind is made to last and will define the feel of any room within your home.



A Roman Blind hangs flat at the window in the lowered position. It is raised by means of draw strings controlled by cord-pull or chain sidewinder attached to thin bars inserted into the blind and this forms straight stepped folds upon rising. The fold depths are in proportion to the overall drop required and generally the minimum stack drop is approximately 12”.

HOW TO MEASURE FOR ROMAN BLINDS

Advice on how to purchase the correct size roman blinds.

BLIND MEASUREMENTS

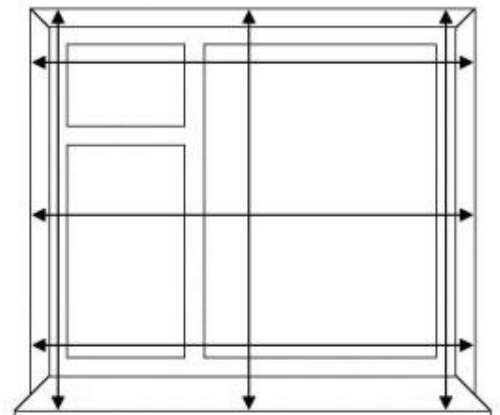
Blinds may be fitted either inside or outside the window recess. When deciding whether to fit the blind inside or outside the recess, consider the following points: -

It will be necessary to fit the blind outside the recess if: -

- The recess is less than 7.5cm deep
- The window opens inwards
- The window is not straight (width or height varies by more than 2cm)

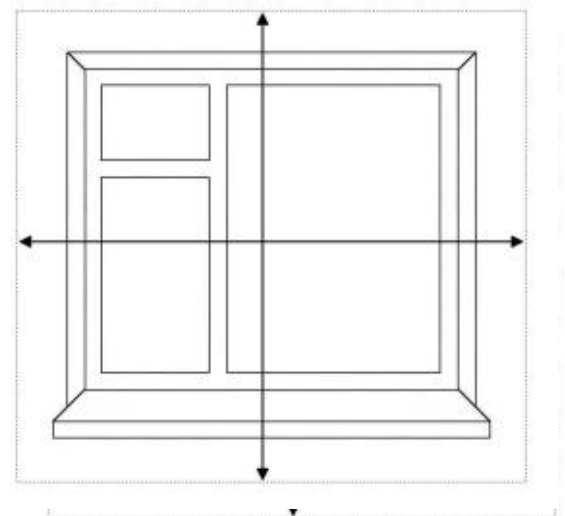
Measuring for a blind to fit inside a window recess: -

- Always use a metal tape
- Measure the width (wall to wall) and drop in at least three positions taking account of any protrusions such as tiles, dado rails etc.
- Make a note of the smallest width and drop measurement and quote these as the **Recess Size**. We will deduct an approximate adjustment of 1cm for fittings.
- All blinds are supplied on a track cut to the exact width complete with fixtures and fitting instructions.



Measuring for a blind to fit outside a window recess: -

- Always use a metal tape
- Measure for the width and drop. We would recommend that you allow the blind to extend a minimum of 10cm either side of the window and 10cm above and below the window.
- Make a note of the required width and drop measurement and quote these as the **Blind Size**
- All blinds are supplied on a track cut to the exact width complete with fixtures and fitting instructions.



ORDERING FORM ROMAN BLINDS

Use the form below to write down all the information you'll need to order our Aluminium Venetian Blinds. To print off more than 1 copy only print pages 3 to 6 and choose how many copies you require).



STAGE 1 ENTER YOUR SIZE INFORMATION

OPTION	YOUR SELECTION	HELP
WIDTH		Enter the width and drop measurements.
DROP		
UNITS (are your measurements in centimetres or inches)	cms / inches	Highlight if your measurements were made in centimetres or inches.
RECESS (cross out the one that does not apply)	RECESS BLIND SIZE	Highlight if you have measured the blind to fit inside the window frame (RECESS) or outside the window frame (BLIND SIZE). Use our guide above for measuring

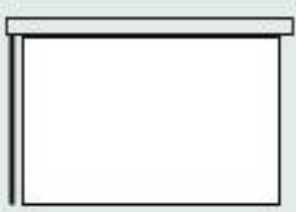

STAGE 2 SELECT YOUR BLIND LINING

OPTION	YOUR SELECTION	HELP
<p>IVORY Standard Lining in Ivory colour 50% Cotton 50% polyester</p>		<p>All Made To Measure Roman Blinds are lined to offer a greater protection to the fabric on the window.</p> <p>Choose the type of lining you would like from the options available. (please note some fabrics may not have all the variations shown here)</p>
<p>WHITE Standard Lining in White colour 50% Cotton 50% polyester</p>		
<p>BLACKOUT Blackout Lining in Ivory colour 50% Polyester 50% Cotton Satin. Ideal to exclude daylight from the room.</p>		
<p>THERMAL Thermal Lining in Ivory colour 50% Polyester 50% Cotton Satin. Ideal to reduce heat loss and give insulation. Gives added protection to the main fabric from strong sunlight. Backing is coated with acrylic</p>		

STAGE 3 FINISHING TOUCHES

OPTION	YOUR SELECTION	HELP
 <p>NO BORDER</p>		<p>You can have your roman blind finished with a 2.5cm (1inch) border on the bottom of the blind in a contrast fabric (if available) or the blind can be left plain without a border.</p>
 <p>CONTRAST BORDER IN **DESIGN**</p>		<p>If you do not want a border choose the NO BORDER option.</p> <p>To have a border (if available) choose the contrast fabric you would like from those displayed on the website.</p>

STAGE 4 SELECT YOUR BLIND CONTROL

OPTION	YOUR SELECTION	HELP
STANDARD CONTROL WHITE (no extra charge)		Standard control available in white for no extra charge
SIDEWINDER CONTROL IN SILVER (additional 10% on price)		The Side Winder control has an additional cost and is available with either a silver or gold coloured metal chain or a white plastic chain.
SIDEWINDER CONTROL IN GOLD (additional 10% on price)		Roman Blinds fitted with side winder controls may take a little longer to manufacture as we have to have the track custom made to your width size
SIDEWINDER CONTROL IN WHITE (additional 10% on price)		Roman Blinds fitted with side winder controls may take a little longer to manufacture as we have to have the track custom made to your width size
 <p>CONTROL ON LEFT SIDE OF BLIND</p>		Choose which side of the blind you would like the controls to be fixed.
 <p>CONTROL ON RIGHT SIDE OF BLIND</p>		

STAGE 5 ENTER THE QUANTITY REQUIRED

OPTION	YOUR SELECTION	HELP
ENTER HOW MANY BLINDS YOU REQUIRE		Last step let us know how many you would like to order.